

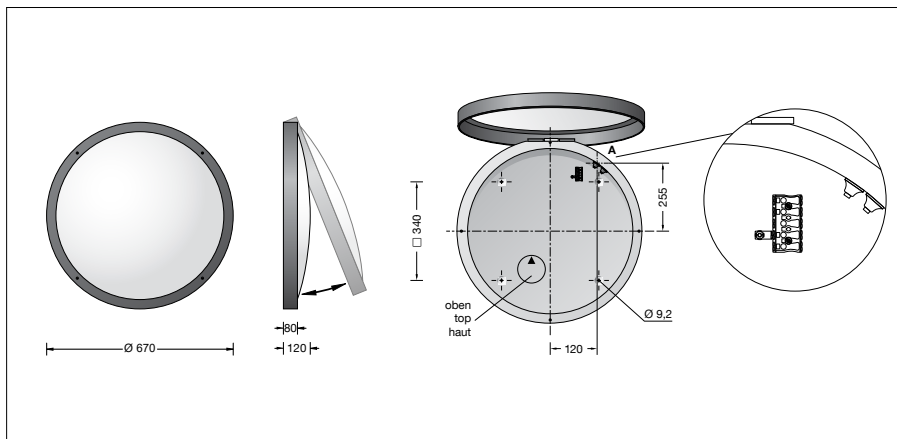
**BEGA****24 230**

Large-area luminaire



Project · Reference number

Date



## Product data sheet

### Product description

Luminaire made of aluminium, aluminium alloy and stainless steel

BEGA Unidure® coating technology

Synthetic diffuser with white light-diffusing matt finish

Silicone gasket

4 elongated fixing holes

Width 9,2 mm · 340 x 340 mm spacing

2 cable entries for through-wiring of mains supply cable ø 7-10,5 mm, max. 5 G 1.5<sup>2</sup>

Connection terminal 2.5<sup>2</sup>

Earth conductor connection

LED power supply unit

220-240 V ~ 0/50-60 Hz

DC 176-280 V

During DC operation the LED power is reduced to 15 %

DALI-controllable

Number of DALI addresses: 1

Basic insulation is provided between the mains and control cables

BEGA Thermal Control®

Temporary thermal regulation to protect temperature-sensitive components without switching off the luminaire

Safety class I

Protection class IP 65

Dust-tight and protection against water jets

Impact strength IK10

Protection against mechanical impacts < 20 joule

– Safety mark

**CE** – Conformity mark

Weight: 9,4 kg

This product contains light sources of energy efficiency class(es) C

### Application

Large-area luminaire as ceiling and wall luminaire with high light power and high uniform light distribution.

### Lamp

Module connected wattage 47,2 W

Luminaire connected wattage 52,6 W

Rated temperature  $t_a = 25 \text{ }^\circ\text{C}$

Ambient temperature  $t_{a,max} = 45 \text{ }^\circ\text{C}$

On request we can offer you modifications for environments with higher temperatures as a customized product.

### 24 230 K3

Module designation 4x LED-0567/830

Colour temperature 3000 K

Colour rendering index CRI > 80

Module luminous flux 8540 lm

Luminaire luminous flux 6519 lm

Luminaire luminous efficiency 123,9 lm/W

### 24 230 K4

Module designation 4x LED-0567/840

Colour temperature 4000 K

Colour rendering index CRI > 80

Module luminous flux 8660 lm

Luminaire luminous flux 6610 lm

Luminaire luminous efficiency 125,7 lm/W

### Service life · Ambient temperature

Rated temperature  $t_a = 25 \text{ }^\circ\text{C}$

LED psu: > 50,000 h

LED module: > 200,000 h (L80 B50)

100,000 h (L90 B50)

Ambient temperature max.  $t_a = 45 \text{ }^\circ\text{C}$  (100 %)

LED psu: 50,000 h

LED module: > 200,000 h (L80 B50)

100,000 h (L90 B50)

### Lighting technology

Luminaire data for the DIALux lighting design program for outdoor lighting, street lighting and indoor lighting, as well as luminaire data in EULUMDAT and IES format are available on the BEGA website at [www.bega.com](http://www.bega.com).

### Ratio of luminous flux

Luminous flux upper half-space 0,6 %

Luminous flux lower half-space 99,4 %

BUG rating according to IES TM-15-07:

2-2-2

CEN Flux Code according to EN 13032-2:

47-78-94-99-100-0-0-0-1

### Inrush current

Inrush current: 26 A / 264  $\mu\text{s}$

Maximum number of luminaires of this type per miniature circuit breaker:

B 10A: 10 luminaires

B 16A: 16 luminaires

C 10A: 16 luminaires

C 16A: 26 luminaires

### Article No. 24 230

LED colour temperature optionally 3000K or 4000K

3000 K – Article number + **K3**

4000 K – Article number + **K4**

Colour optionally graphite or white

Graphite – Article number

White – Article number + **W**

### Light distribution

