

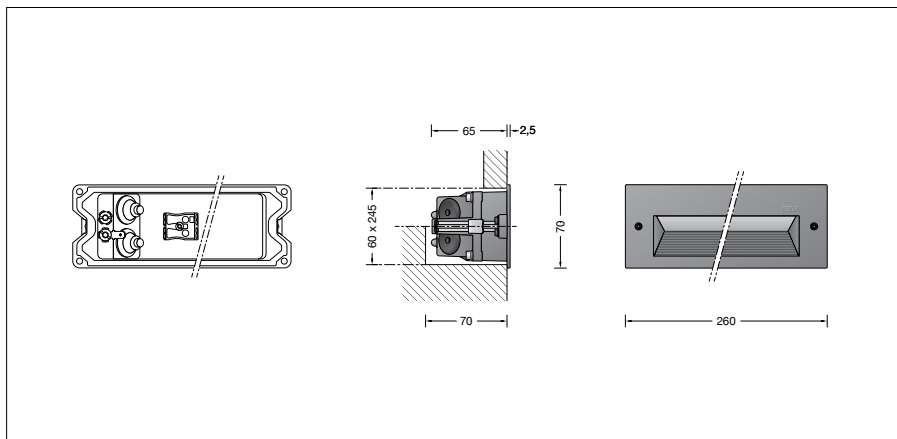
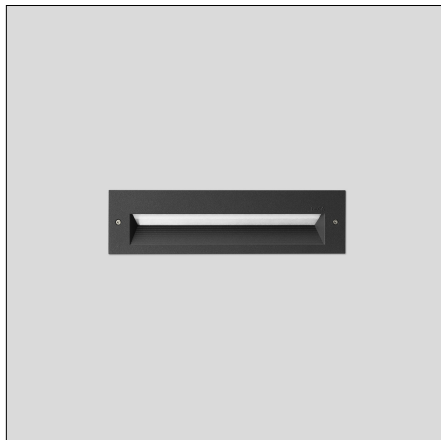
**BEGA****33 054**

Recessed luminaire



Project · Reference number

Date



## Product data sheet

### Application

Recessed luminaire for walls and staircases for flush or surface-mounted installation.  
With asymmetrical light distribution for glare-free illumination of surfaces from low mounting height.

### Product description

Luminaire made of aluminium alloy, aluminium and stainless steel  
BEGA Tricoat® coating technology  
Colour graphite or silver  
Clear safety glass  
Silicone gasket  
Fixing is achieved by using two adjustable wedge-shaped claws  
Required recessed opening 245 x 60 mm  
Recessed depth 70 mm  
2 cable entries for through-wiring of mains supply cable  $\varnothing$  7-10.5 mm  
Connection terminal 2.5<sup>□</sup>  
Earth conductor connection  
LED power supply unit  
220-240 V  $\sim$  0/50-60 Hz  
BEGA Thermal Switch®  
Temporary thermal shutdown to protect temperature-sensitive components  
Safety class I  
Protection class IP 65  
Dust-tight and protection against water jets  
Impact strength IK09  
Protection against mechanical impacts < 10 joule  
 – Safety mark  
 – Conformity mark  
Weight: 0.8 kg  
This product contains light sources of energy efficiency class(es) C

### Lamp

Module connected wattage 5.7 W  
Luminaire connected wattage 7.7 W  
Rated temperature  $t_a = 25$  °C  
Ambient temperature  $t_{a \max} = 40$  °C  
When installed in heat-insulating material  $t_{a \max} = 35$  °C

On request we can offer you modifications for environments with higher temperatures as a customized product.

### 33 054 K3

Module designation LED-0539/830  
Colour temperature 3000 K  
Colour rendering index CRI > 80  
Module luminous flux 995 lm  
Luminaire luminous flux 410 lm  
Luminaire luminous efficiency 53,2 lm/W

### 33 054 K4

Module designation LED-0539/840  
Colour temperature 4000 K  
Colour rendering index CRI > 80  
Module luminous flux 1010 lm  
Luminaire luminous flux 416 lm  
Luminaire luminous efficiency 54 lm/W

### Service life · Ambient temperature

Rated temperature  $t_a = 25$  °C  
LED psu: > 50,000 h  
LED module: > 200,000 h (L 80 B 50)  
100,000 h (L 90 B 50)  
Ambient temperature max.  $t_a = 40$  °C (100 %)  
LED psu: 50,000 h  
LED module: 94,000 h (L 80 B 50)  
100,000 h (L 70 B 50)

### Ratio of luminous flux

Luminous flux upper half-space 2 %  
Luminous flux lower half-space 98 %

BUG rating according to IES TM-15-07:  
0 – 1 – 1

CEN Flux Code according to EN 13032-2:  
14 – 51 – 86 – 98 – 100 – 0 – 3 – 28 – 2

### Lighting technology

Luminaire data for the DIALux lighting design program for outdoor lighting, street lighting and indoor lighting, as well as luminaire data in EULUMDAT and IES format are available on the BEGA website at [www.bega.com](http://www.bega.com).

### BEGA Tricoat®

BEGA Tricoat® is a protected trademark for a technology that we use in order to achieve optimal corrosion resistance. These carefully coordinated inorganic and organic coating processes applied to extremely resistant alloys ensure the best possible surface protection and outstanding corrosion resistance.

### Accessories

**10 425** Installation housing  
**13 520** Installation housing for installation in insulated façades (EWIS)  
**10 025** Plaster frame  
**13 504** Plaster frame flush

A separate instructions for use can be provided upon request.

### Article No. 33 054

LED colour temperature optionally 3000 K or 4000 K  
3000 K – Article number + **K3**  
4000 K – Article number + **K4**

Colour graphite or silver  
graphite – article number  
silver – article number + **A**

### Light distribution

