

BEGA**84 072**

Garden luminaire

IP 44

Project · Reference number

Date

Product data sheet

Application

Garden luminaire with directed light.

A luminaire made of copper and hand-blown opal glass.

For an effective illumination of paths, stairs and seats in the garden.

Product description

Luminaire made of copper and stainless steel

Baseplate made of bronze alloy

Opal glass with screw neck

Luminaire with mounting plate for bolting onto a foundation or an anchorage unit

Mounting plate with 3 fixing holes

ø 8.5 mm · Pitch circle ø 100 mm

Mounting bracket with connection box and

3-pole terminal 4[□] for connection of

mains supply cable max. 3 × 2.5[□]

Lampholder E 27

Safety class I

Protection class IP 44

Protected against granular foreign bodies

> 1 mm and splash water

Impact strength IK03

Protection against mechanical

impacts < 0.35 joule

CE – Conformity mark

Weight: 7.0 kg

Copper

The luminaire parts made of solid copper are delivered with the metal's natural surface colour. Time and weather factors create the natural patina characteristic for copper.

Bronze

The luminaire is made of massive bronze and delivered with the metal's natural surface. Time and weather factors create the natural patina characteristic for bronze.

Lamp

Luminaire with lampholder E 27

Lamp output max. 60 W

For this luminaire we recommend the following BEGA LED lamps:

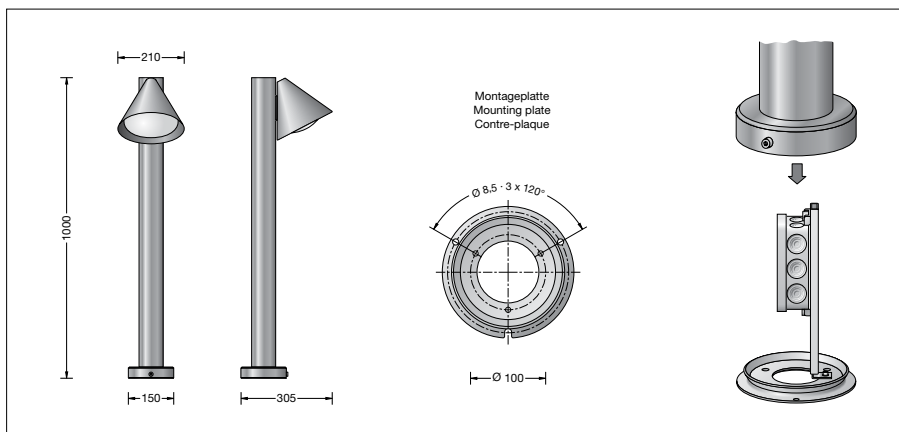
13510 LED 7 W · 805 lm · 2700 K

13548 LED 7 W · 805 lm · 2700 K
dimnable

13584 LED 7 W · 805 lm · 3000 K

13586 LED 7 W · 805 lm · 3000 K
dimnable

Detailed technical and lighting data for the lamps can be found in the data sheets on our website.



Accessory

70 895 Anchorage unit with mounting flange made of hot-dip galvanised steel. Total length 400 mm. 3 stainless steel fixing screws M8. Pitch circle ø 100 mm.

See the separate instructions for use.