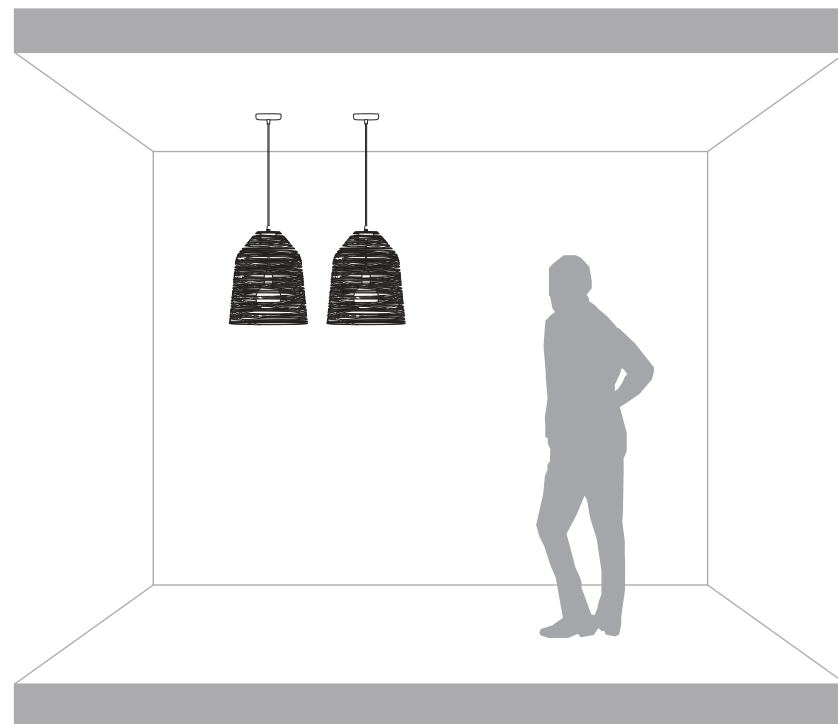


# BLACKOUT



SE101 1B INT  
SE101 1T INT

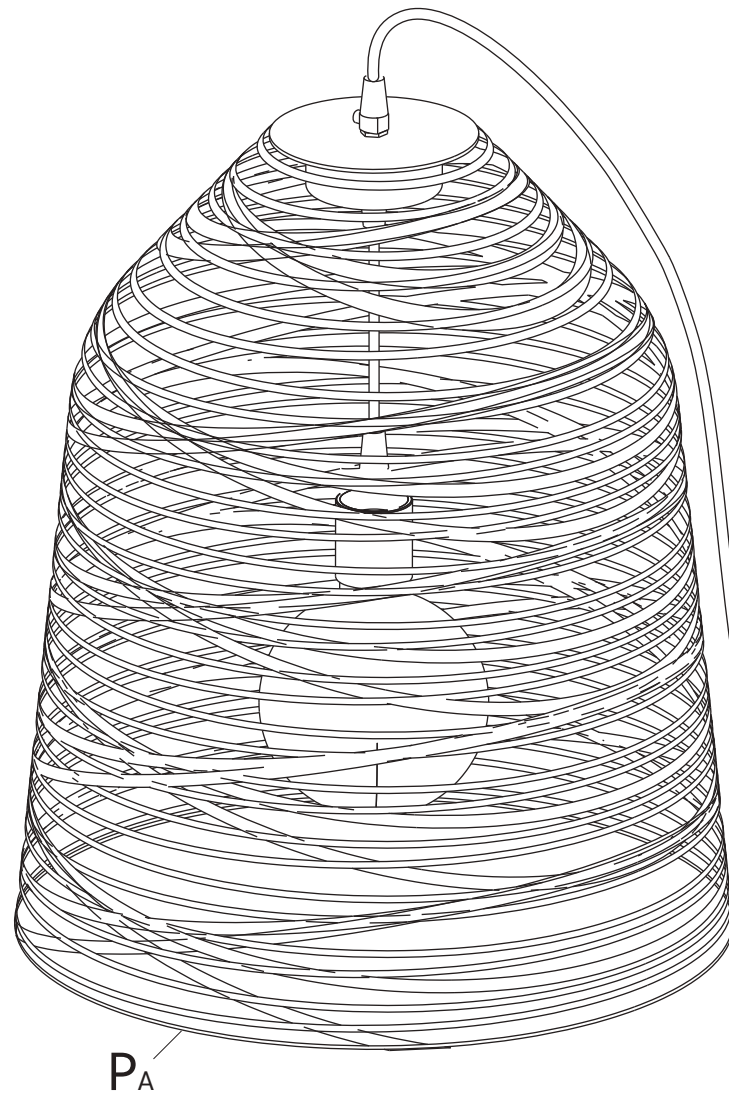
220-240 V.  
max 1x53W - E27



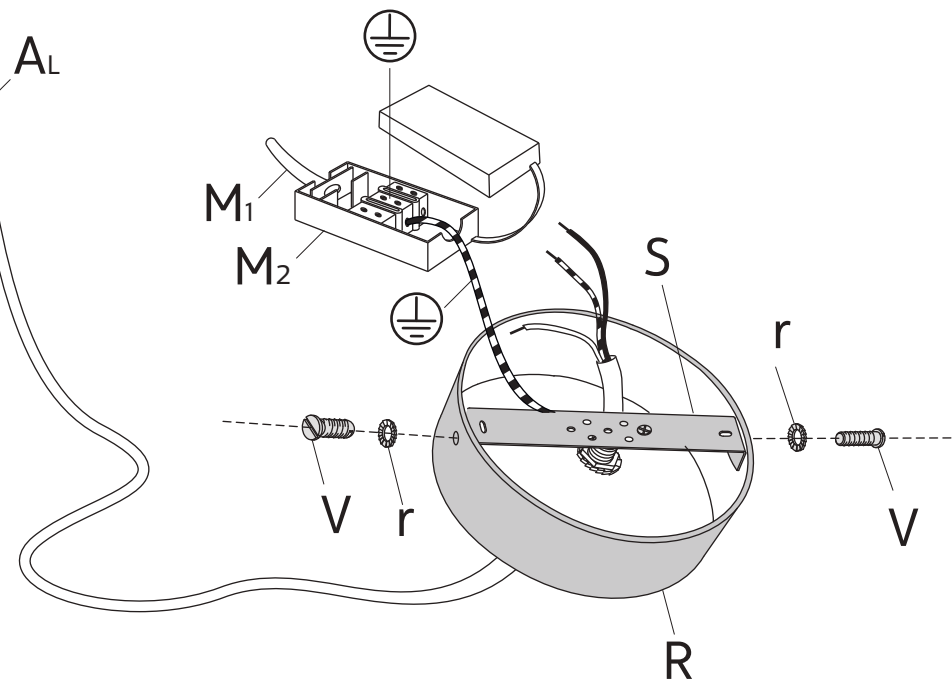
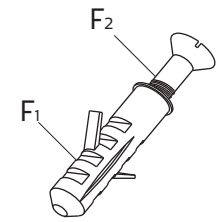
Karman srl

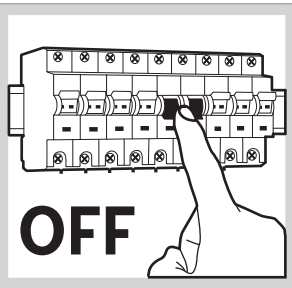
Via A. Grandi, San Martino del piano, 61034 Fossombrone (PU), Italy - p.iva 02175640412 tel +39 0721 71 5042 r.a fax +39 0721 716640 - [www.karmanitalia.it](http://www.karmanitalia.it)



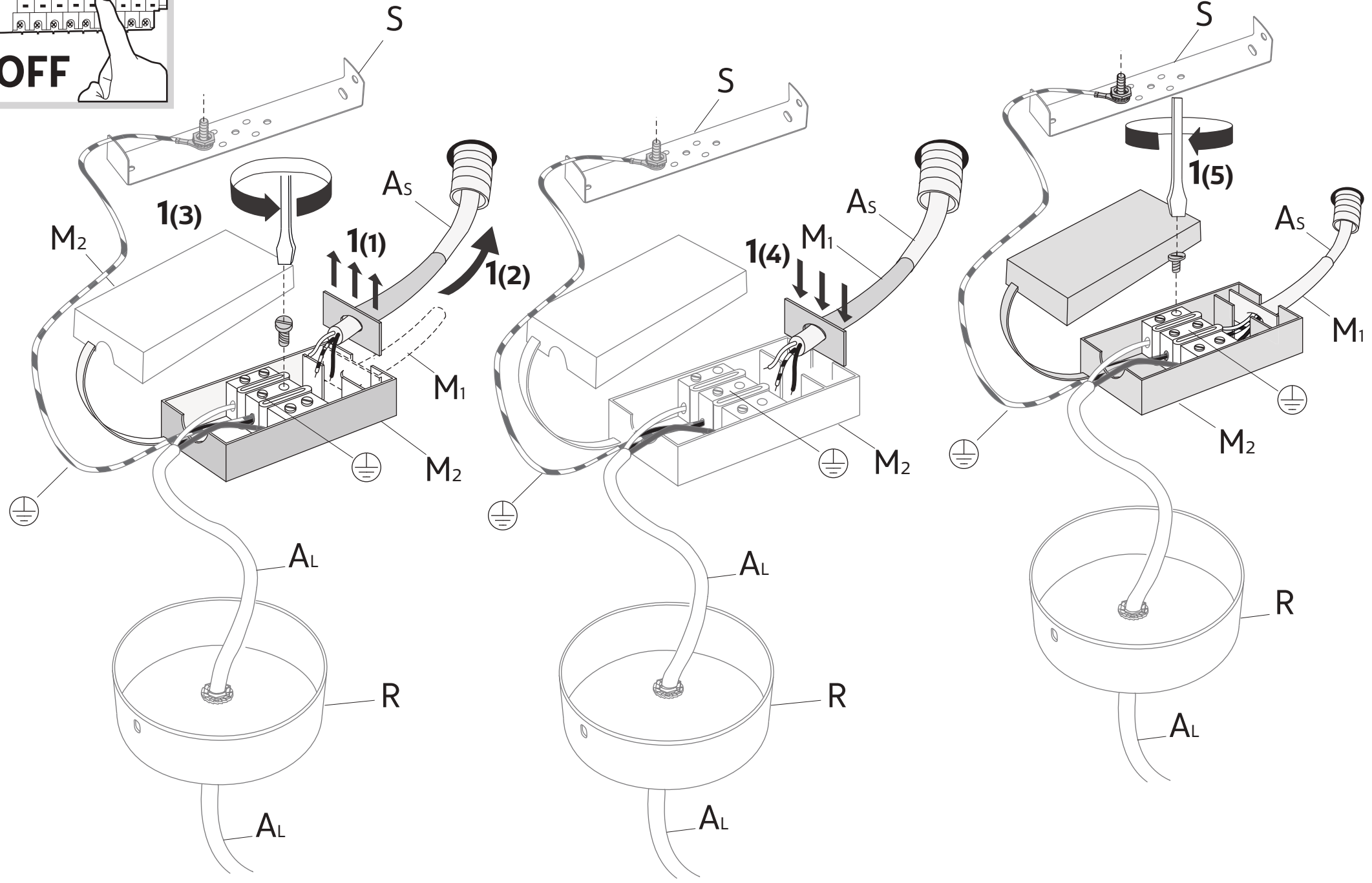


2x F

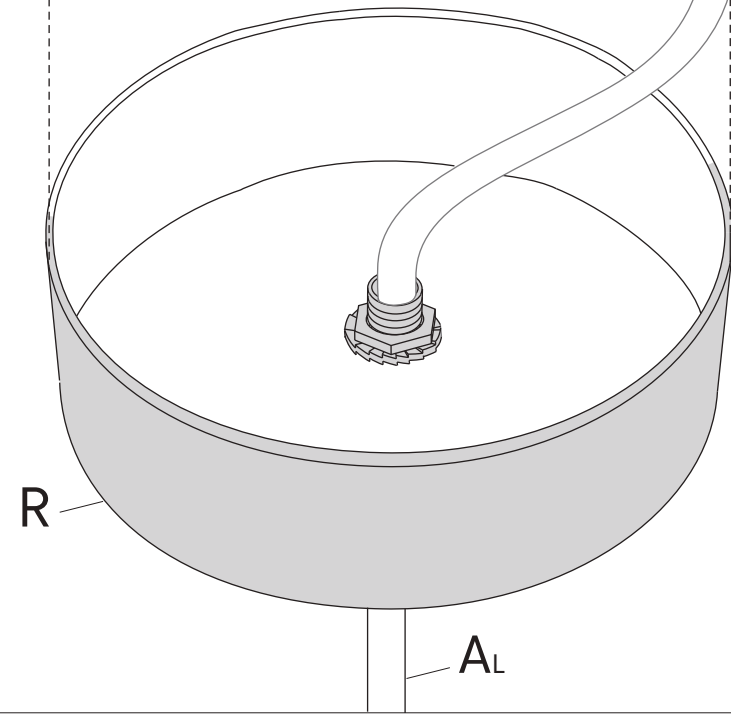
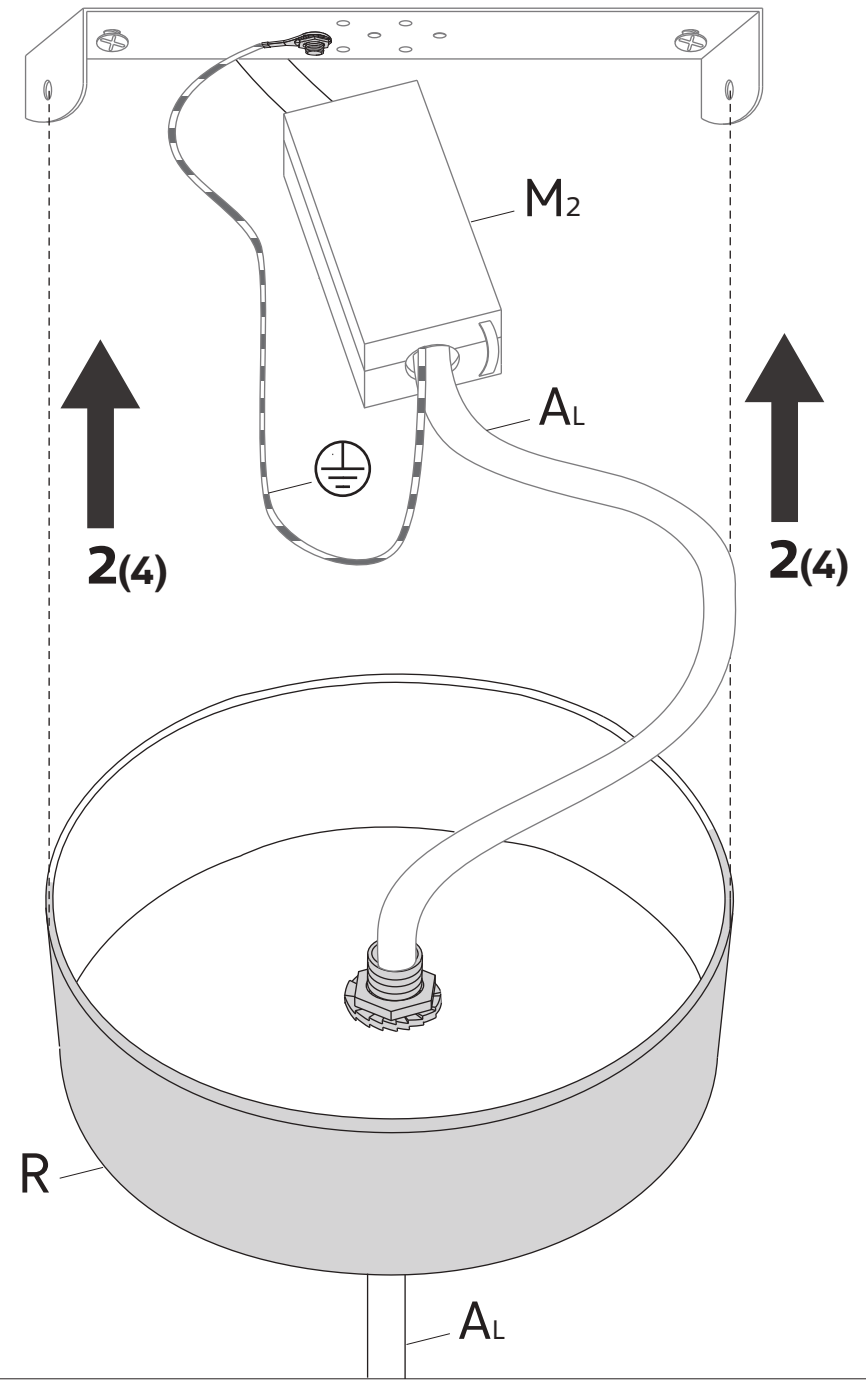
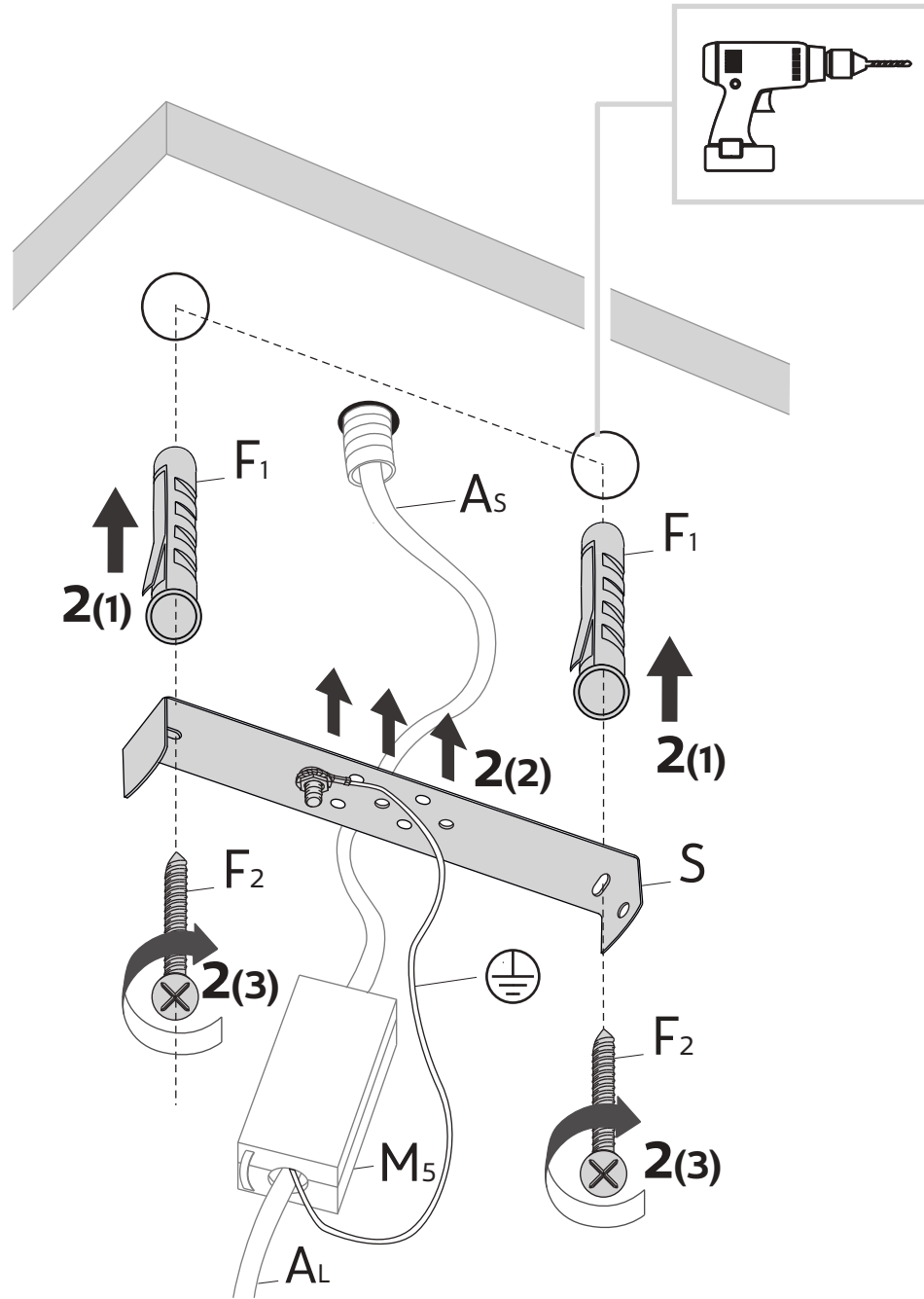


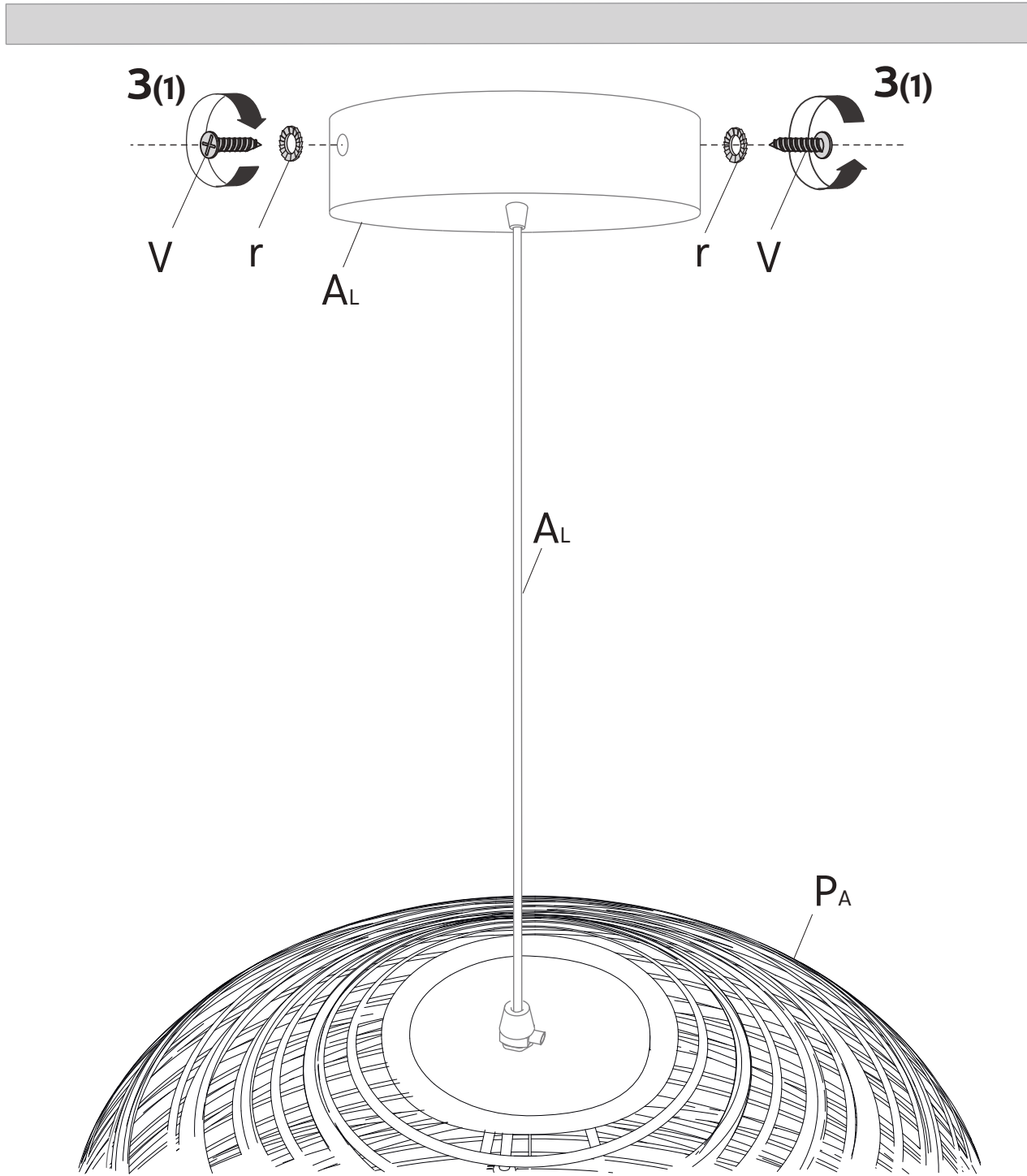


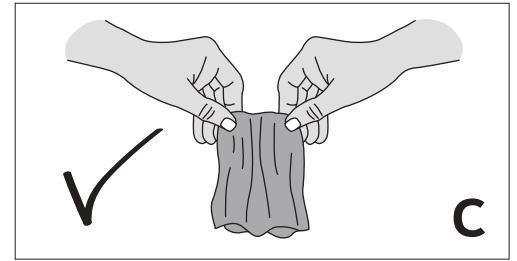
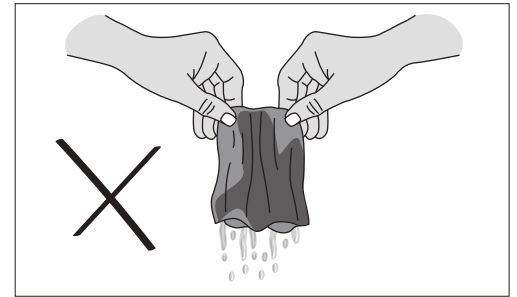
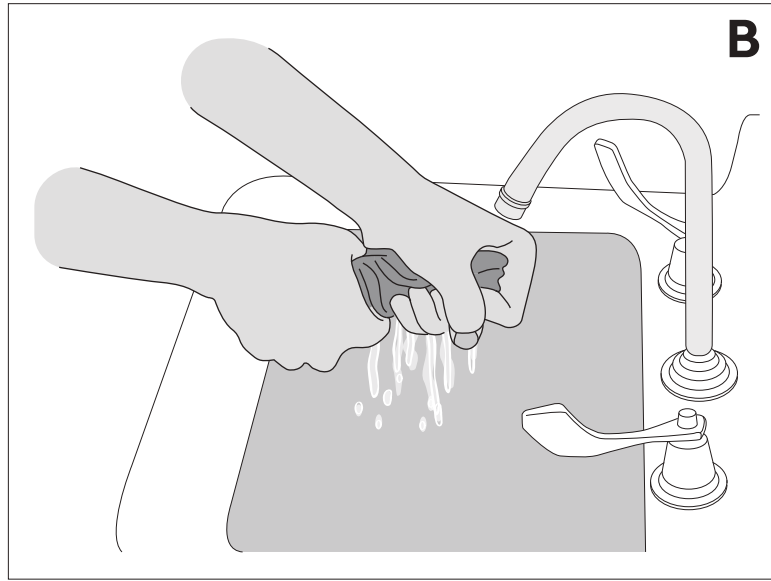
**1**











chemical agents

chemical agents

alcohol

