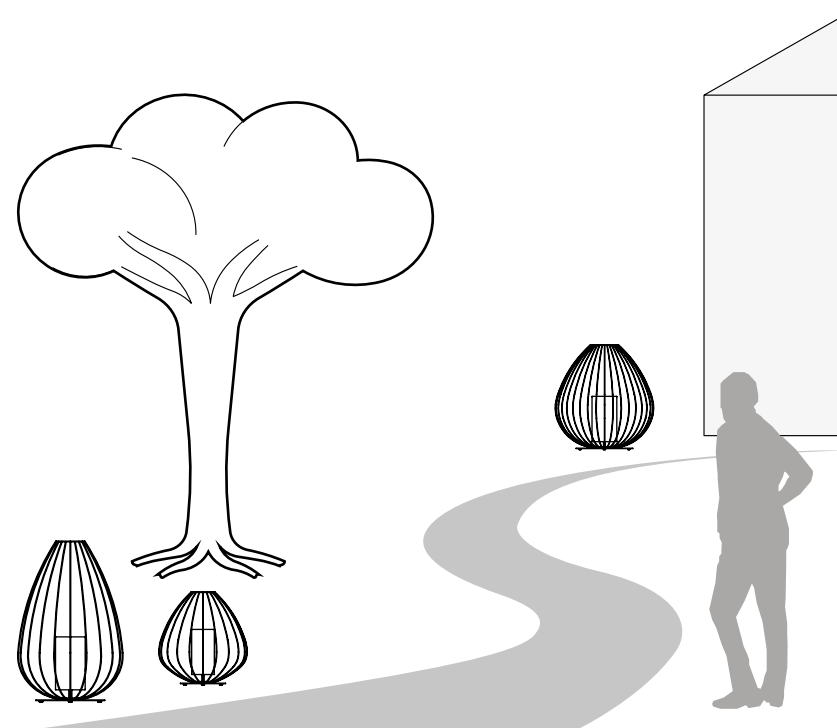


CELL

M612-V1E
M613-V1E
M615-V1E

CT612 AM V1E
HP613 BM V1E
HP615 DM V1E

110V
1 x max 18W LED - E26

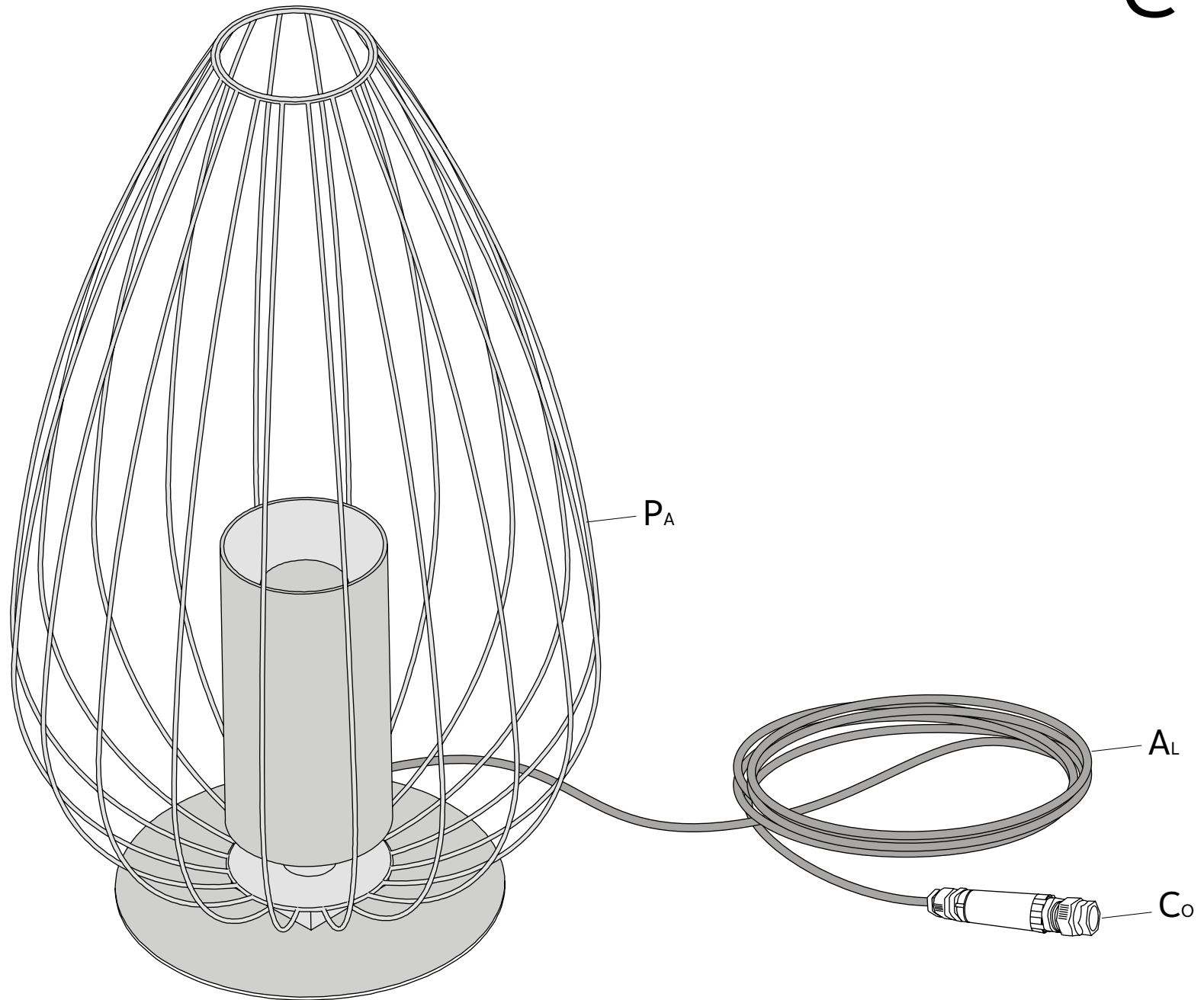


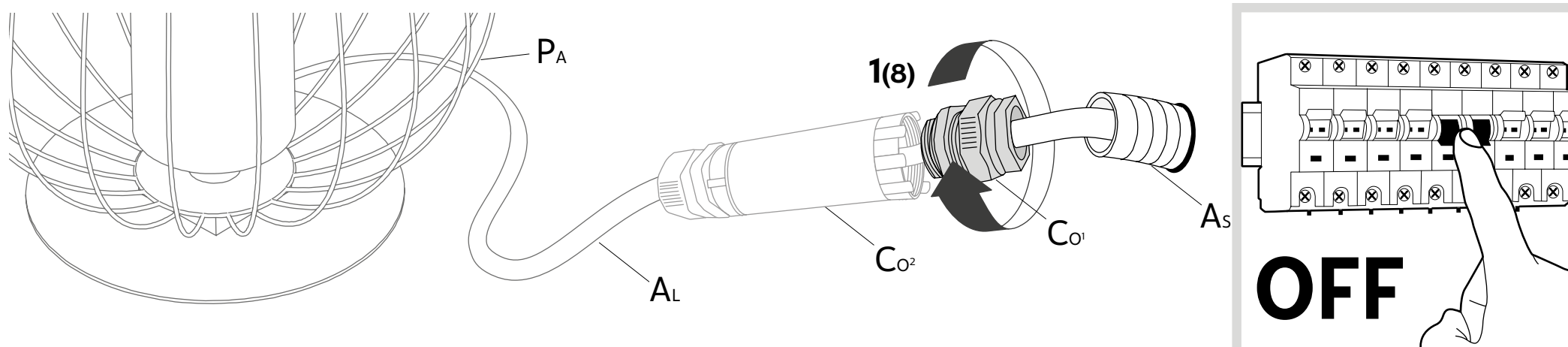
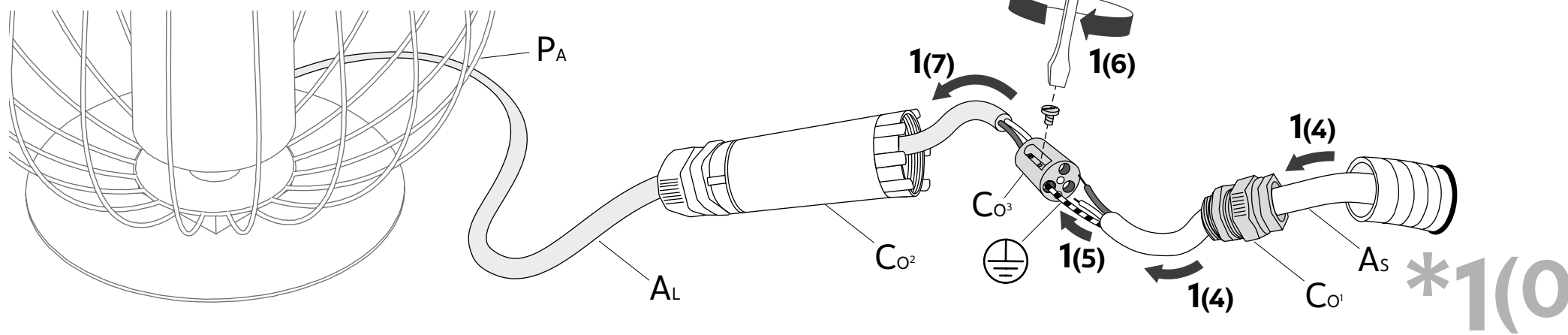
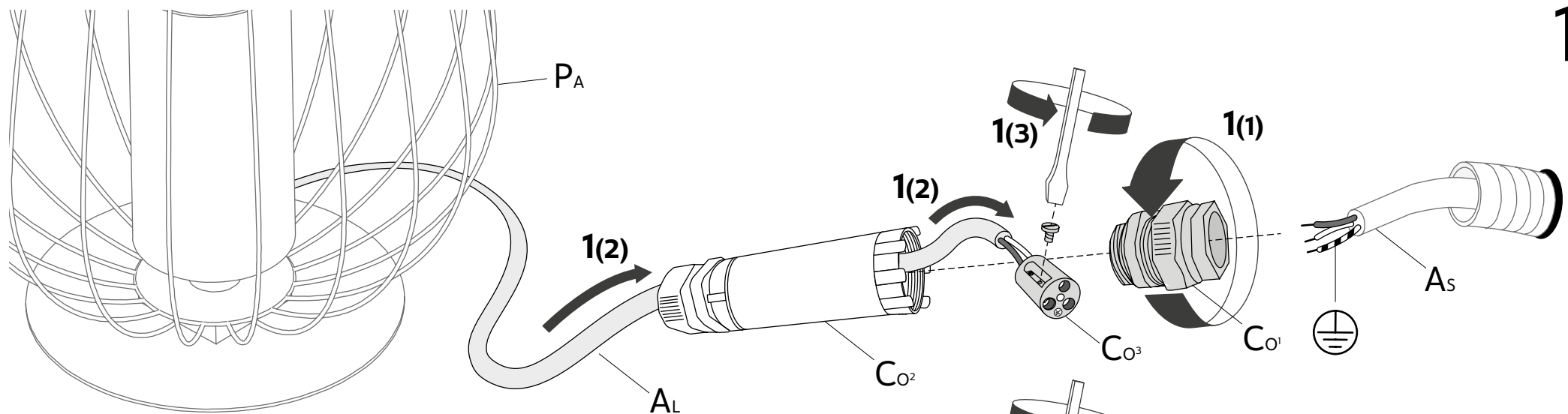
WET LOCATION

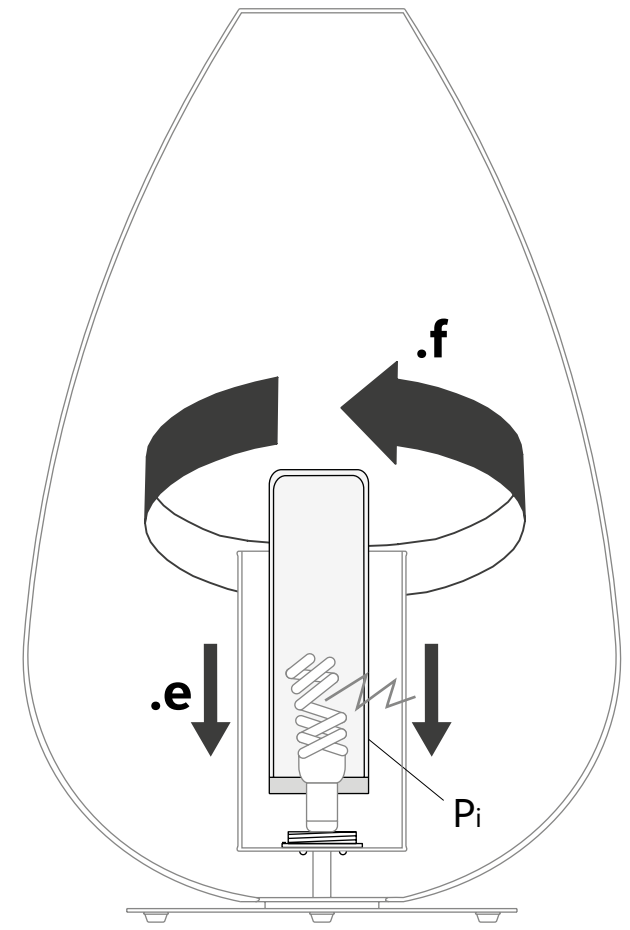
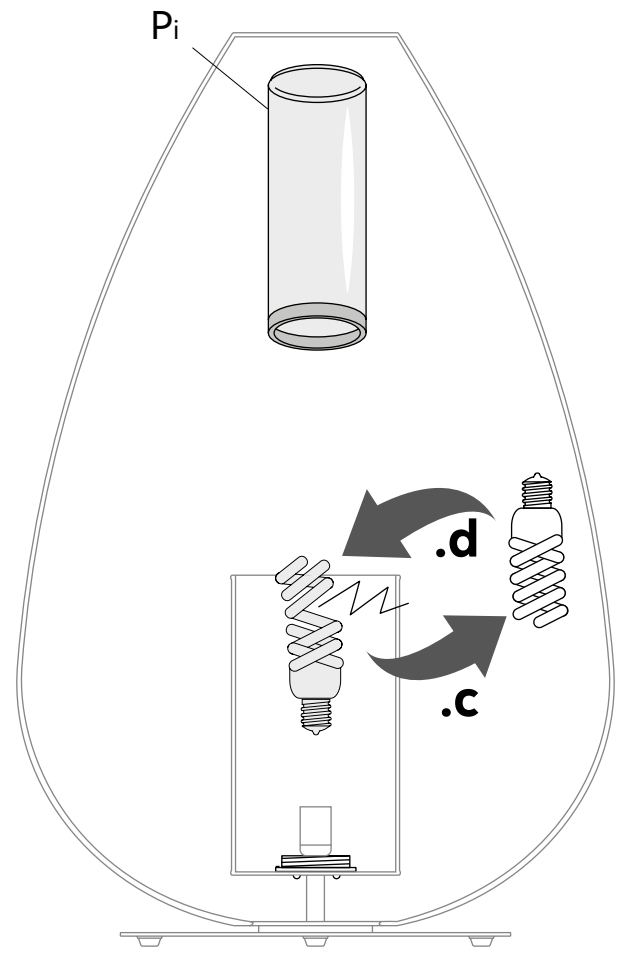
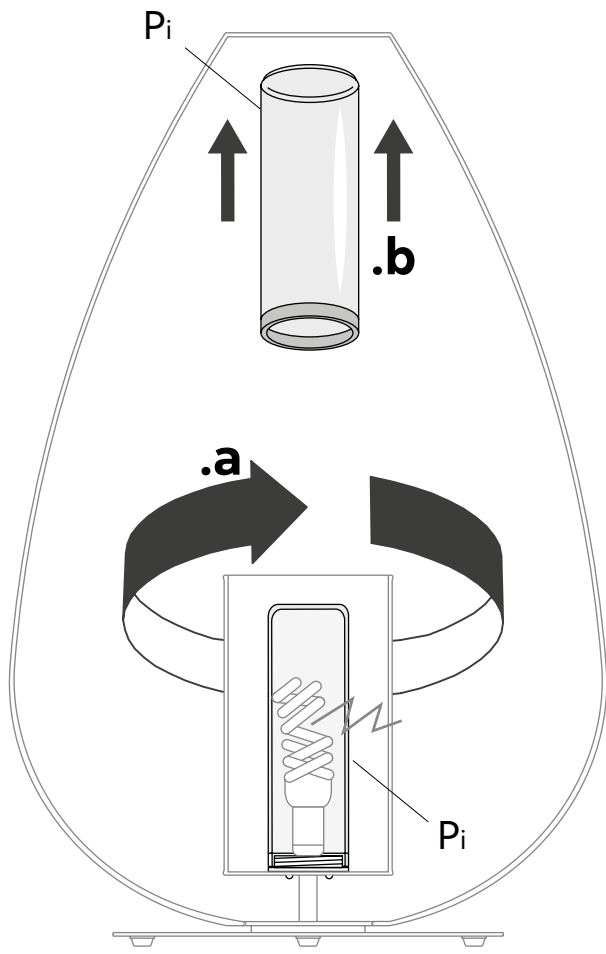
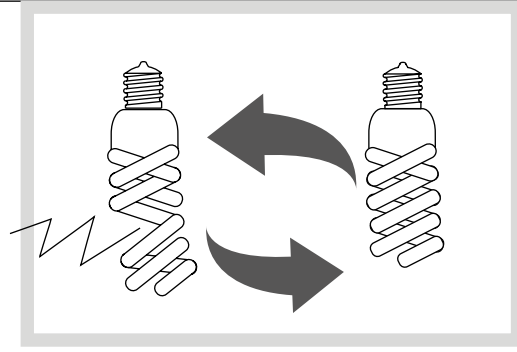
Karman srl

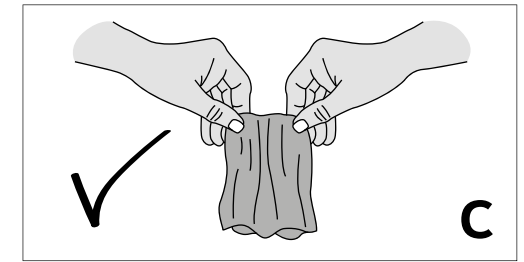
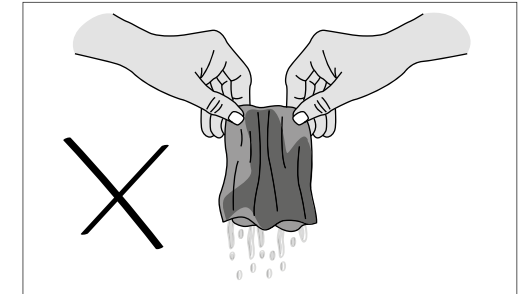
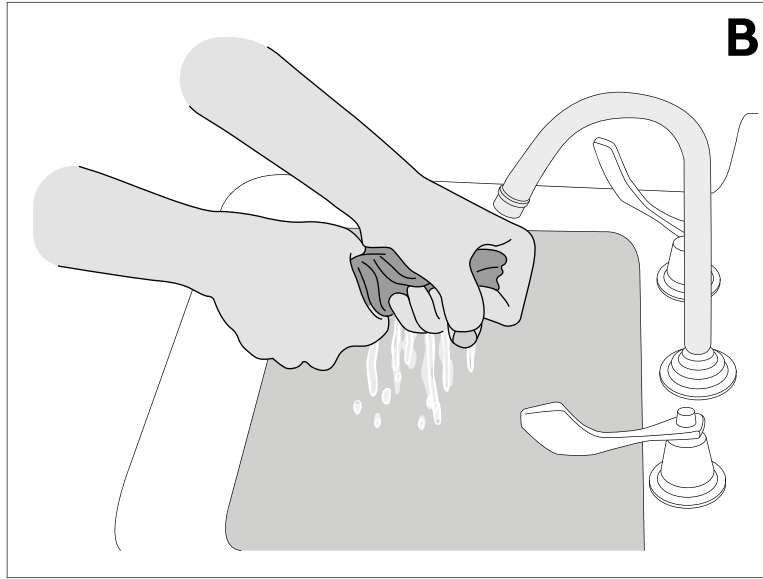
Via A. Grandi, San Martino del piano, 61034 Fossombrone (PU), Italy - p.iva 02175640412 tel +39 0721 71 5042 r.a fax +39 0721 716640 - www.karmanitalia.it

C - 01

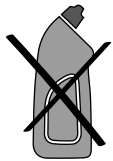








chemical agents



chemical agents



alcohol

