

BEGA**31 026**

Pillar luminaire »Rom«

 IP 23

Project · Reference number



Date

Product data sheet

Application

Luminaire with antique glass for installation on pillars, walls and parapets.

Product description

Luminaire made of aluminium alloy, aluminium and stainless steel
 BEGA Unidure® coating technology
 Antique glass
 Mounting plate with 3 fixing holes \varnothing 8.5 mm
 Angle 120° · Pitch circle \varnothing 100 mm
 Mounting bracket with 2-pole terminal block 4[□] and earth conductor terminal for connection of mains supply cable max. 3 × 2.5[□]
 LED power supply unit
 220-240 V \sim 0/50-60 Hz
 DC 176-280 V
 BEGA Thermal Switch®
 Temporary thermal shutdown to protect temperature-sensitive components
 Safety class I
 Protection class IP 23
 Protected against granular foreign bodies > 12 mm and showers up to 60°
 – Safety mark
 – Conformity mark
 Weight: 7.8 kg

Inrush current

Inrush current: 20 A / 80 μ s
 Maximum number of luminaires of this type per miniature circuit breaker:
 B10A: 35 luminaires
 B16A: 56 luminaires
 C10A: 58 luminaires
 C16A: 94 luminaires

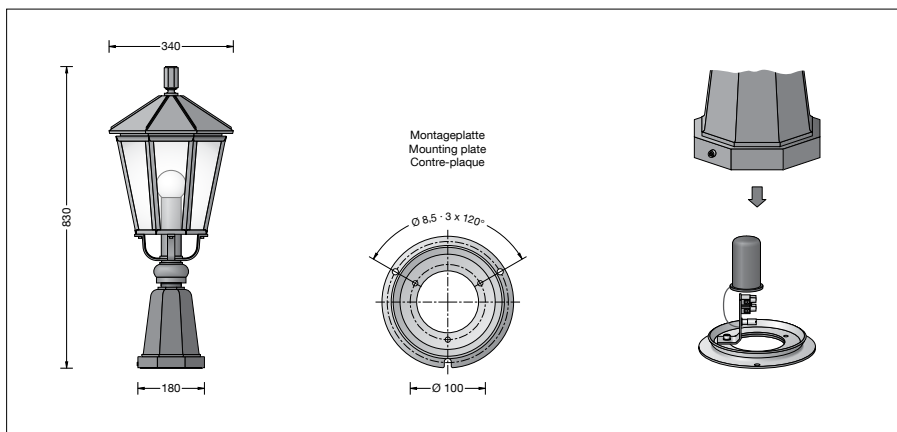
Lamp

Module connected wattage	12.3 W
Luminaire connected wattage	14.3 W
Rated temperature	$t_a = 25\text{ °C}$
Ambient temperature	$t_{a\text{ max}} = 30\text{ °C}$

On request we can offer you modifications for environments with higher temperatures as a customized product.

31 026 K3

Module designation	LED-0658/930
Colour temperature	3000 K
Colour rendering index	CRI > 90
Module luminous flux	1640 lm
Luminaire luminous flux	609 lm
Luminaire luminous efficiency	42,6 lm/W



Service life · Ambient temperature

Rated temperature $t_a = 25\text{ °C}$	
LED psu:	> 50,000 h
LED module:	120,000 h (L80 B50)

Ambient temperature $t_{a\text{ max}} = 30\text{ °C}$ (100 %)	
LED psu:	50,000 h
LED module:	115,000 h (L80 B50)

Light technique

Luminaire data for the light planning program DIALux for outdoor lighting, street lighting and indoor lighting as well as luminaire data in EULUMDAT- and IES-format you will find on the BEGA web page www.bega.com.