

CLAVA

lampshade | user guide



U M A G E



WITH LOVE FROM COPENHAGEN

At UIMAGE, our designers take inspiration from the distinct nature of the Nordic landscape to create unique designs related to the way we live in an urban setting. Influenced by the design language, colours and materials found around us in Scandinavia, we create a collection that is rooted in our home but designed for everyone.

Versatile, flexible and multifunctional, our designs are created to enhance an urban lifestyle in smaller spaces!

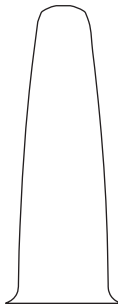


DESIGNED BY
SØREN RAVN CHRISTENSEN

“ Light up your surroundings
with dancing dots.
Clava is a small and
stylish lampshade with an
unforgettable shape and
retro hints „

ASSEMBLY GUIDE

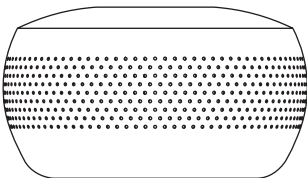
Ⓑ x 1 pc.



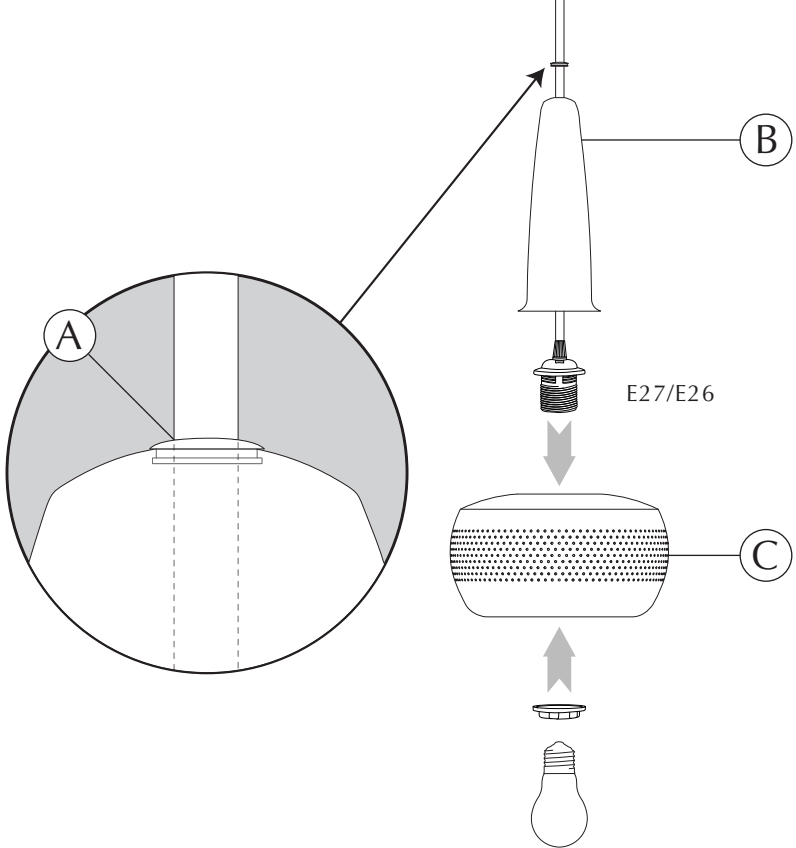
Ⓐ x 1 pc.



Ⓒ x 1 pc.



Find assembly videos by using the QR code or by going online at our website
umage.com/instructions





ENGLISH

This is a carefully handmade product. Small patterns or minor differences may occur as a natural part of the product's uniqueness.

Use a clean soft cloth for removing dust or dirt.

To prevent undesirable bending of the edges, handle the metal frame with care. Avoid handling it by holding onto the edges directly.

Please also be aware that the metal edges can be very sharp.

FRANÇAIS

Produit fait main. De petits motifs ou des différences mineures peuvent varier d'une série à l'autre. Ils font partie de l'unicité du produit.

Utilisez un chiffon propre et doux pour enlever la poussière ou la saleté.

Pour éviter que les bords se plient, tenez le cadre métallique avec précaution. Évitez de le tenir uniquement par les bords.

Attention les bords métalliques peuvent être tranchants.

POLSKI

To jest produkt zrobiony ręcznie z najwyższą starannością. Drobne różnice we wzorze mogą pojawić się jako naturalny element unikalności produktu.

Użyj miękkiej ściereczki by usunąć kurz czy zabrudzenia.

Aby uniknąć niepożądanych wgięć krawędzi, traktuj metalowy klosz z ostrożnością. Unikaj trzymania go bezpośrednio za ranty.

Proszę mieć na uwadze, że metalowe brzegi klosza mogą być bardzo ostre.

PORTUGUÊS

Este é um produto feito cuidadosamente à mão. Uma vez que cada produto é único, é normal ocorrerem pequenas variações de padrões e outros detalhes.

Use um pano limpo e suave para remover poeira e sujidade.

Para prevenir que as arestas de dobre de forma indesejável, manuseie a estrutura de metal cuidadosamente. Evite segurar as bordas diretamente.

Tenha de igual forma em atenção que as pontas de metal podem ser bastante afiadas.

РУССКИЙ

Этот продукт сделан тщательно вручную. Могут быть небольшие узоры и незначительные отличия, как естественный элемент уникального продукта.

Используйте чистую мягкую ткань для удаления пыли и грязи. Чтобы предотвратить нежелательный загиб краев, осторожно обращайтесь с металлической рамой. Старайтесь не держать ее за края.

Также имейте в виду, что металлические края могут быть очень острыми.

CLAVA UP WOOD

large | oak



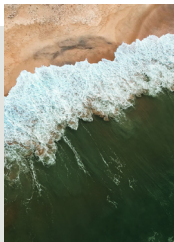
MY SPOT
oak | brass



SUSTAINABLE SUSTAINABILITY EFFORTS

We are dedicated being sensible frontrunners on the environmental responsibility. If we provide timeless and functional quality designs that last, we know nature will prevail, as will UIMAGE.

*"SAVING THE SCENT OF THE FOREST
AFTER AN EARLY MORNING RAIN"*



GIVING BACK TO NATURE

In collaboration with the NGO One Tree Planted, we are planting a tree every time one of our designs made from wood are being sold.

MULTIFUNCTION AND FLEXIBILITY

One of the key aspects of the designs at UIMAGE is multiple functions and flexibility. Designing with more than one function in mind is a sustainable mindset as it reduces the number of products you need to buy to get a complete setting for your space.



REUSABLE PACKAGING

To minimize packaging waste, most of the packaging from our lighting collection is repurposed to be used as beautiful storage boxes afterwards. Learn more on the next page...



REUSABLE PACKAGING

With your new lamp, you have also received a free decorative storage box for the shelf.

THIS IS HOW IT WORKS

When your new lamp is out of the box you can keep the box and reuse it as a storage box for your small bits and bobs and place it on the shelf or on the top of your closet - repurposing the packaging for you and the environment.



So not only are UIMAGE's designs flat-packed to optimize the global logistics and the environmental footprint, but it ensures that you don't need to throw away tons of packaging material, that can just as well be reused for something new.

Read more about our many sustainability efforts:
umage.com/sustainability



Please follow the marked icons on the packaging materials for correct disposal of the remaining packaging materials:



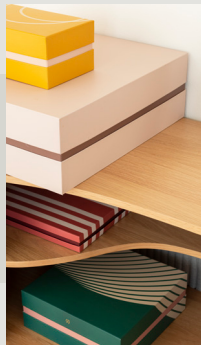
CARDBOARD



PAPER



Recycle your waste correctly
by searching for these icons on
the packaging



FOLLOW US ON SOCIAL MEDIA



@umagedesign | #umagedesign | umage.com


UMAGE



220523