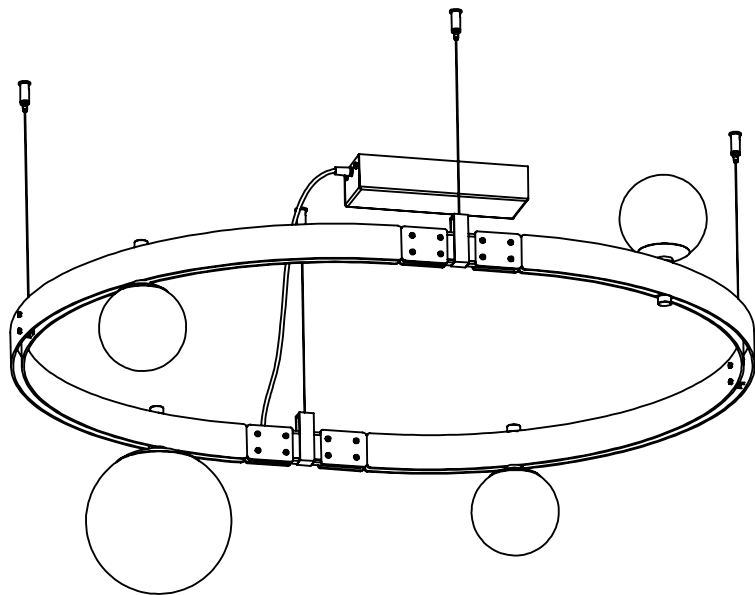
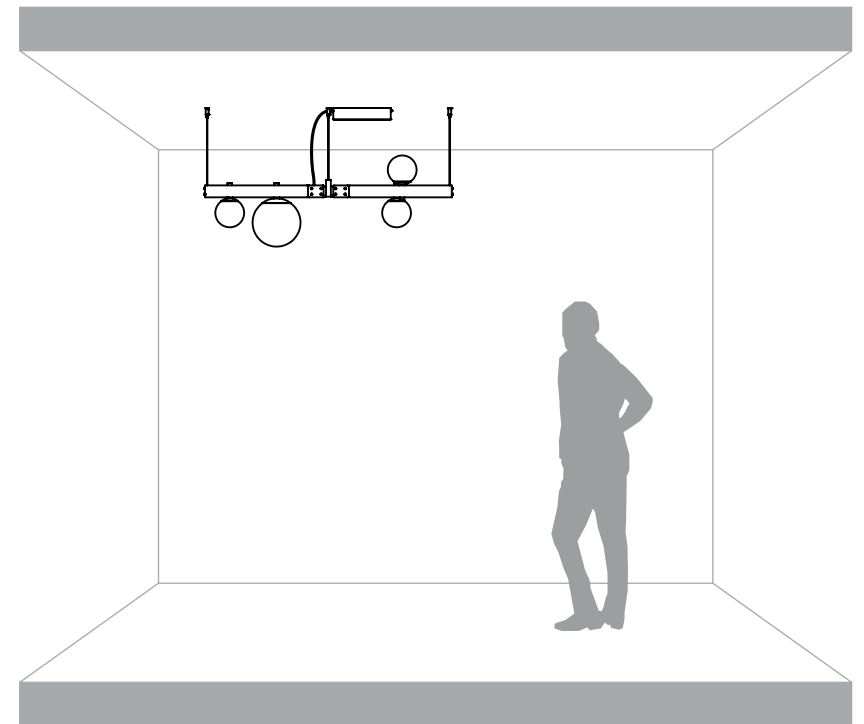


STANT



SE264 BB INT
SE264 EE INT



Karman srl

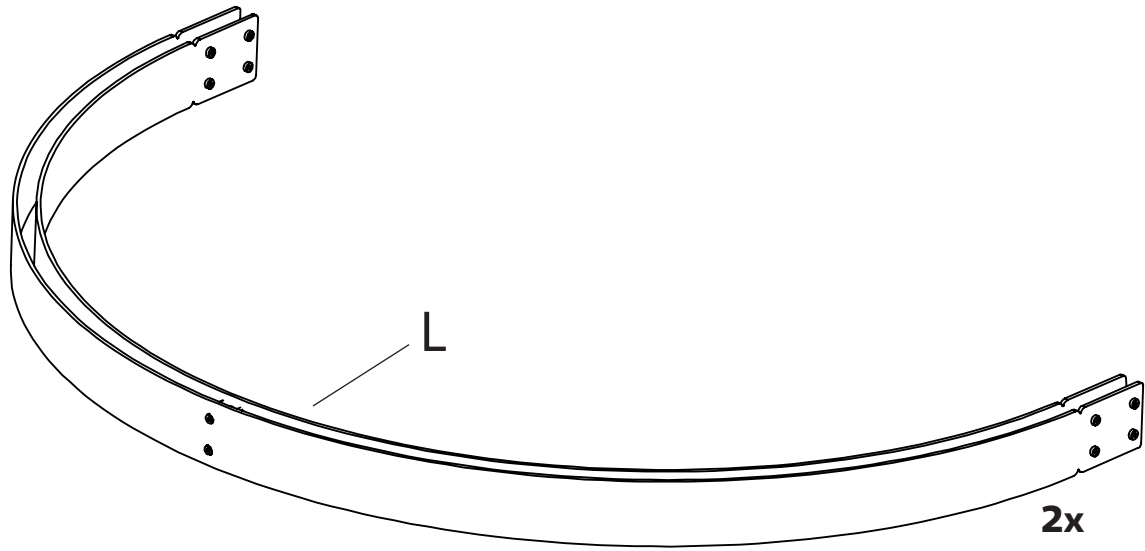
Via A. Grandi, San Martino del piano, 61034 Fossombrone (PU), Italy
p.iva 02175640412 tel +39 0721 71 5042 r.a fax +39 0721 716640 - www.karmanitalia.it

220-240 V.
max 60W

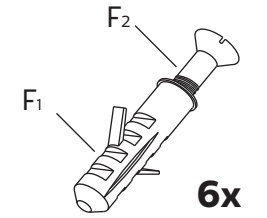


KARMAN

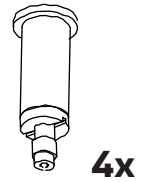
C - 01



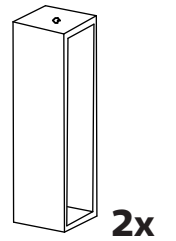
F



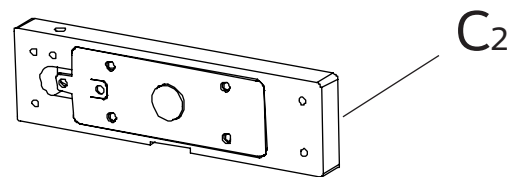
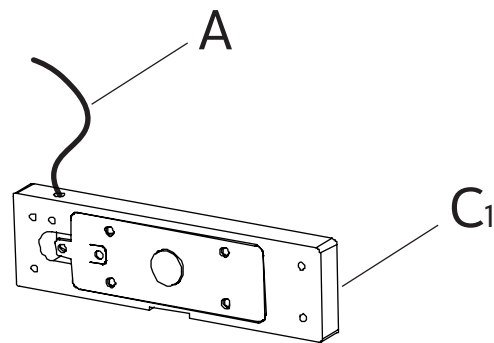
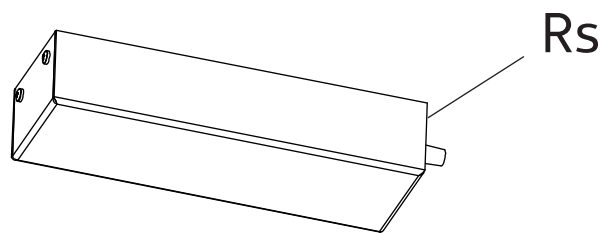
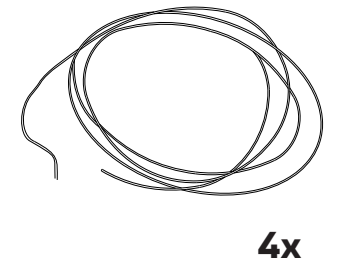
B

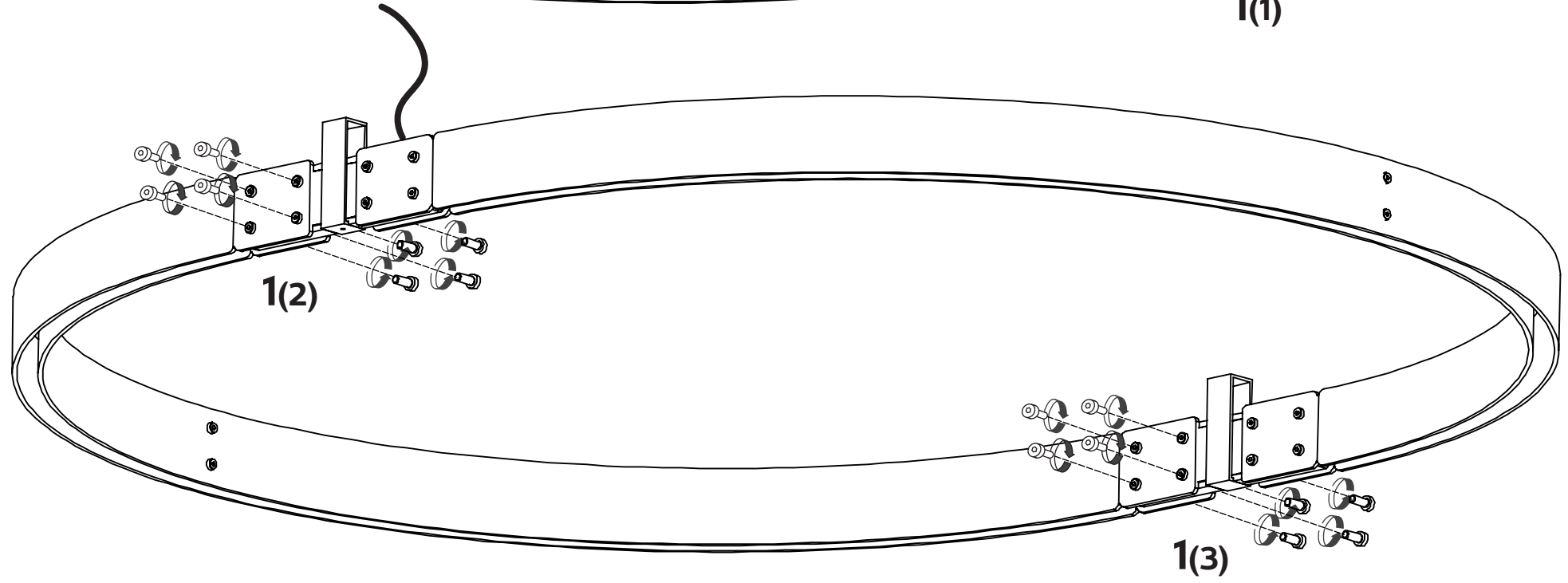
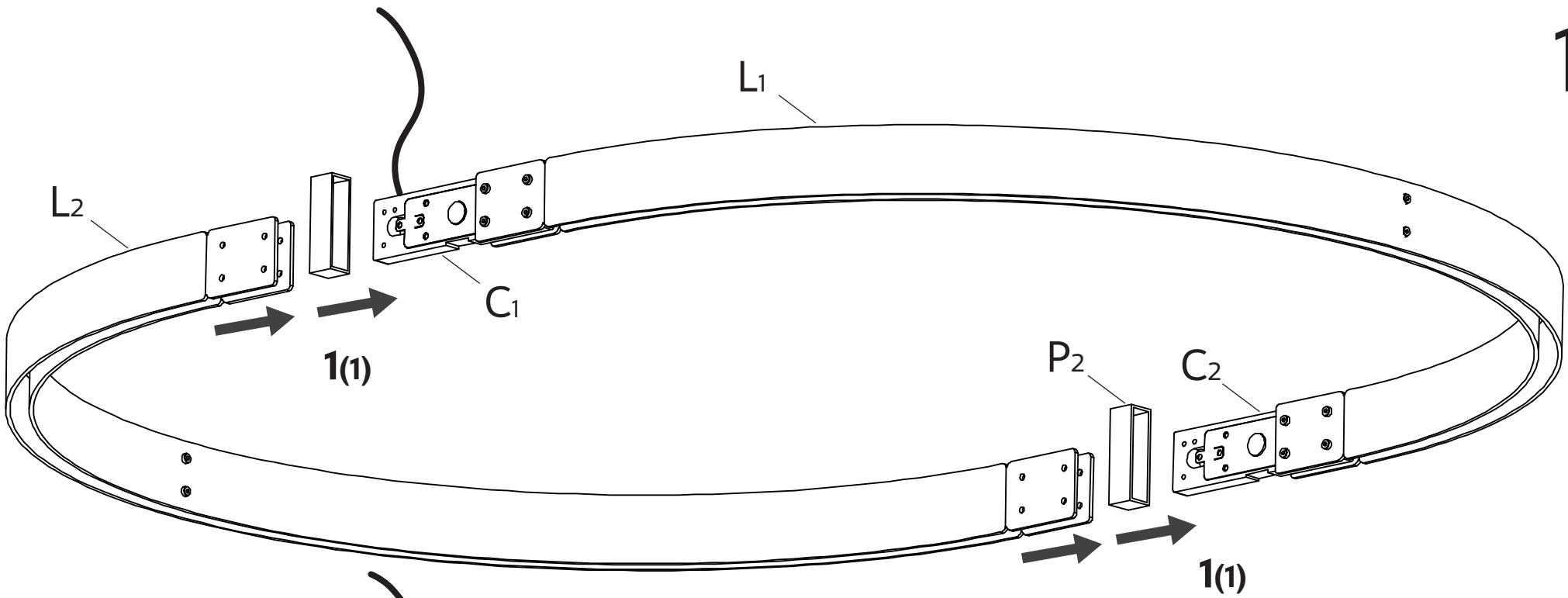


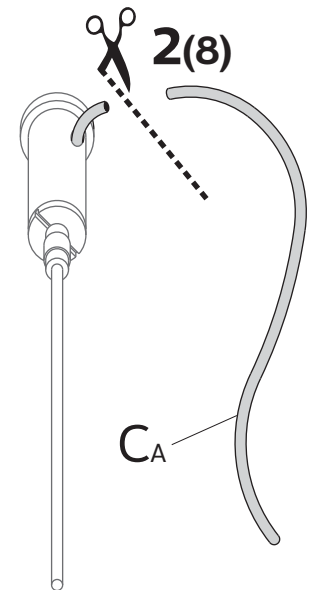
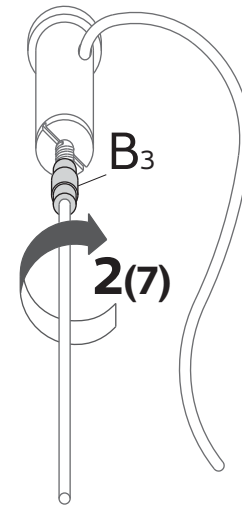
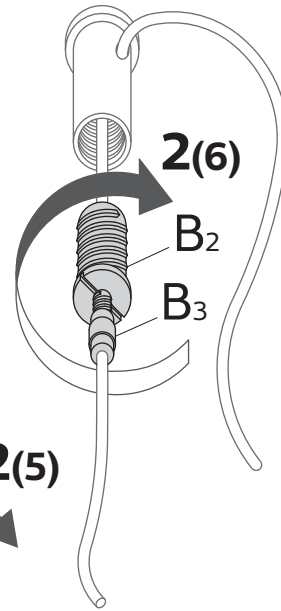
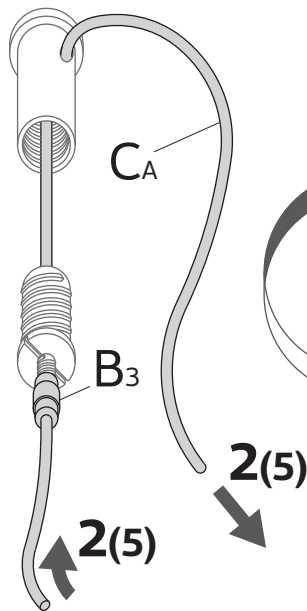
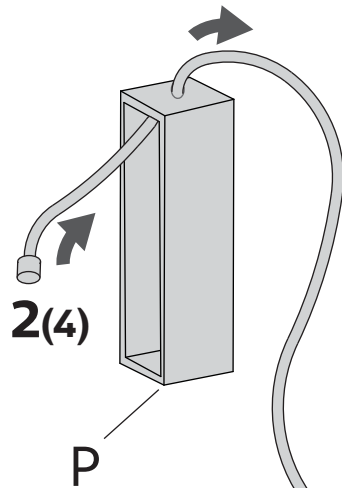
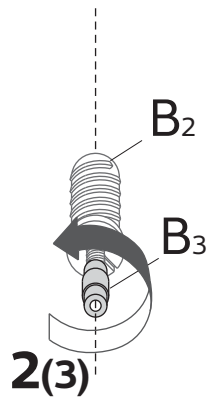
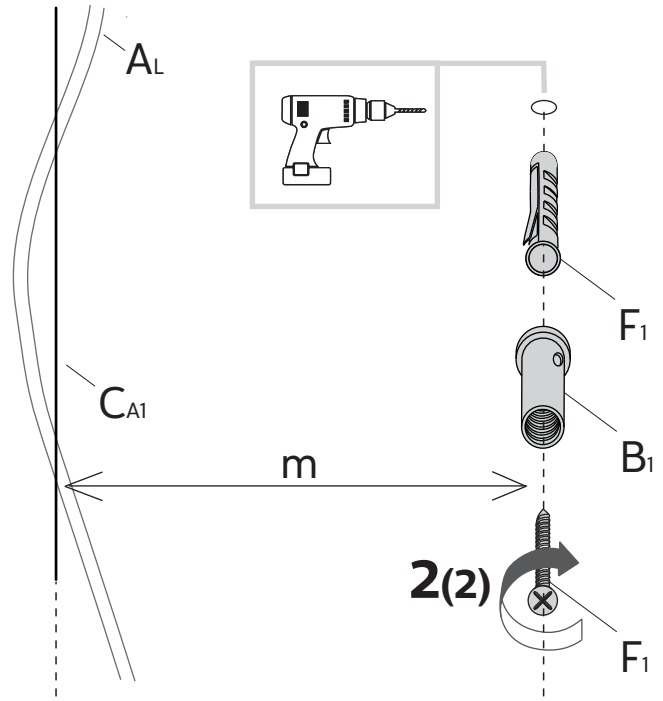
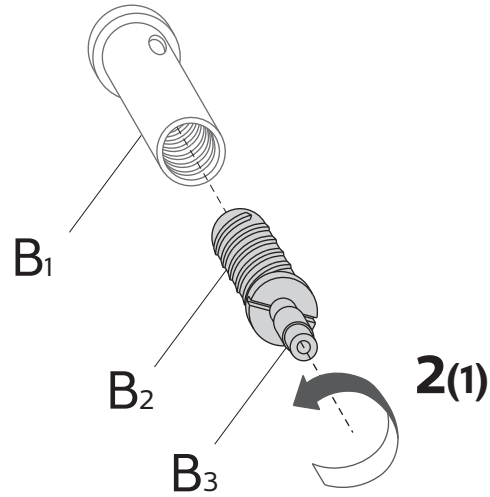
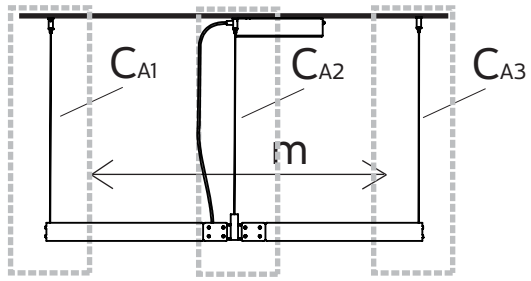
P

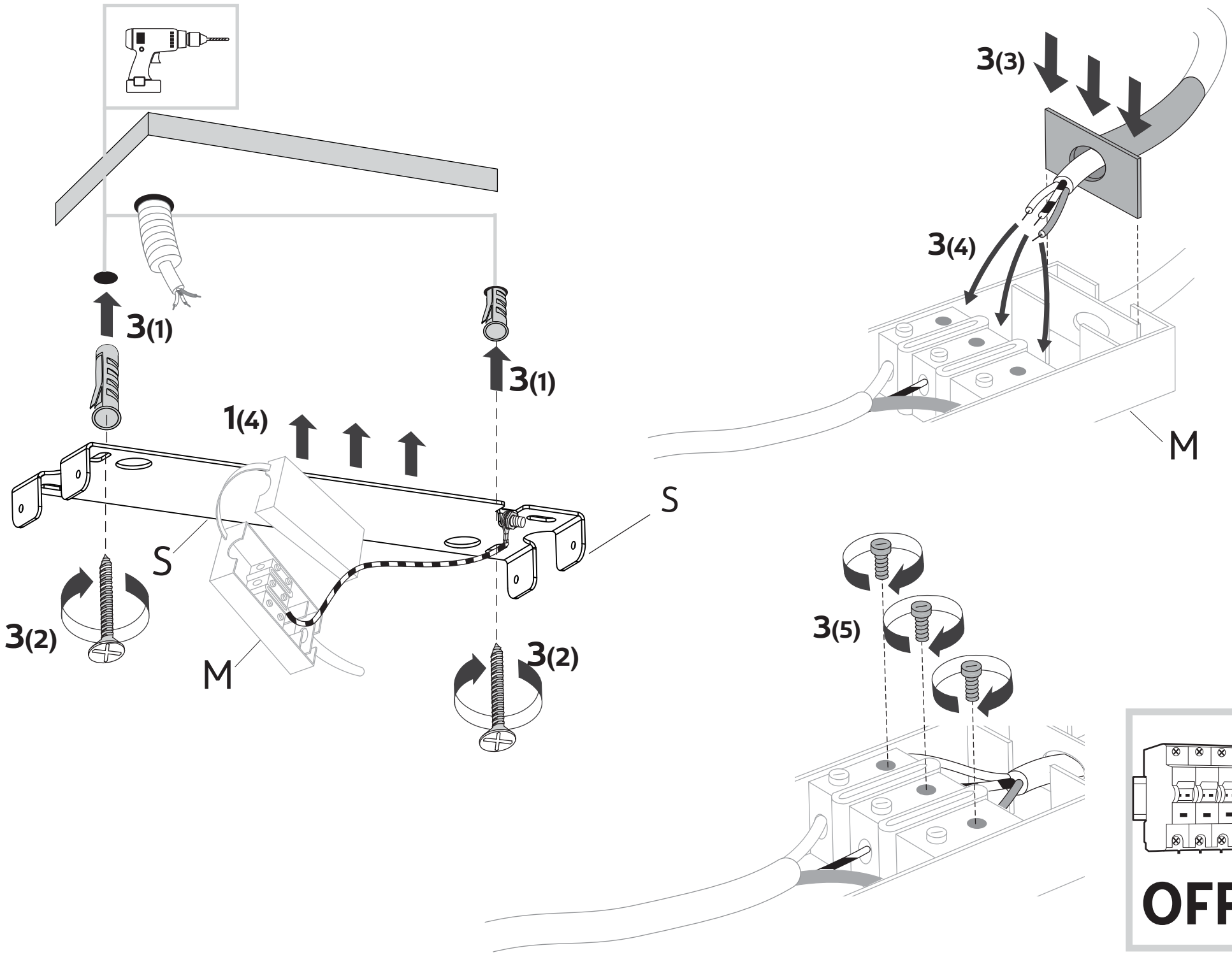


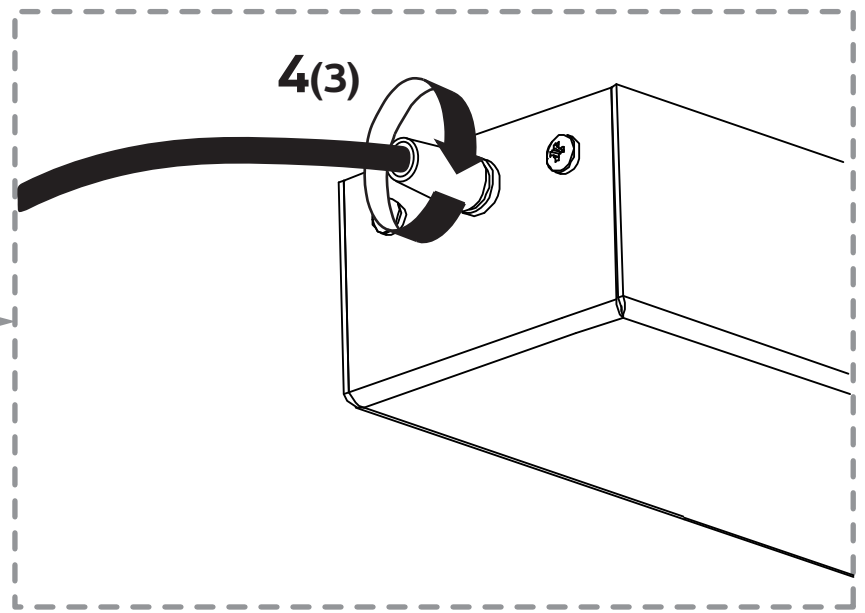
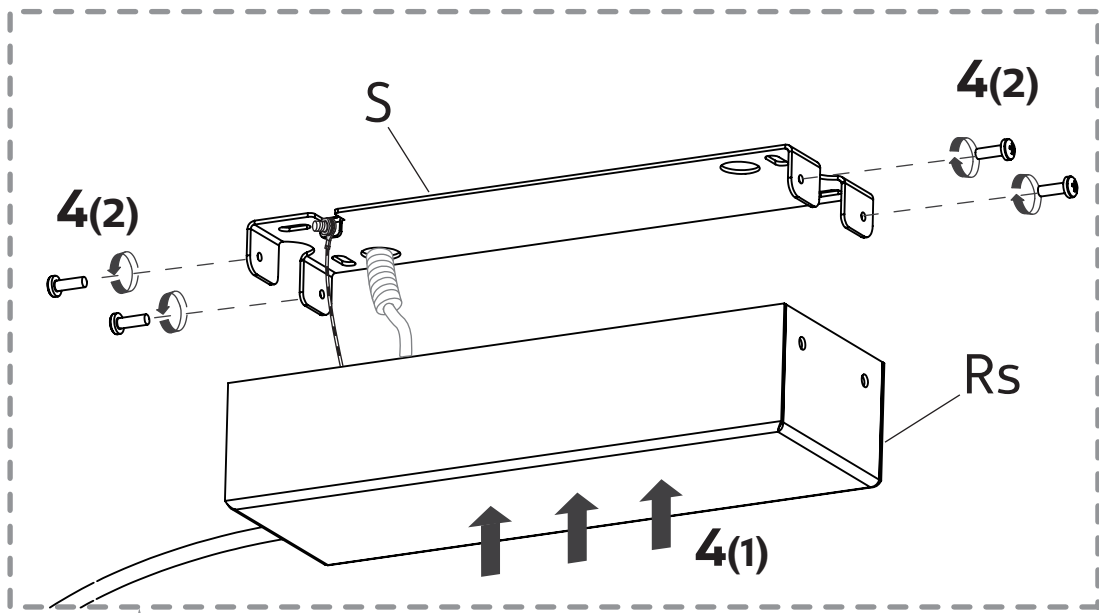
C



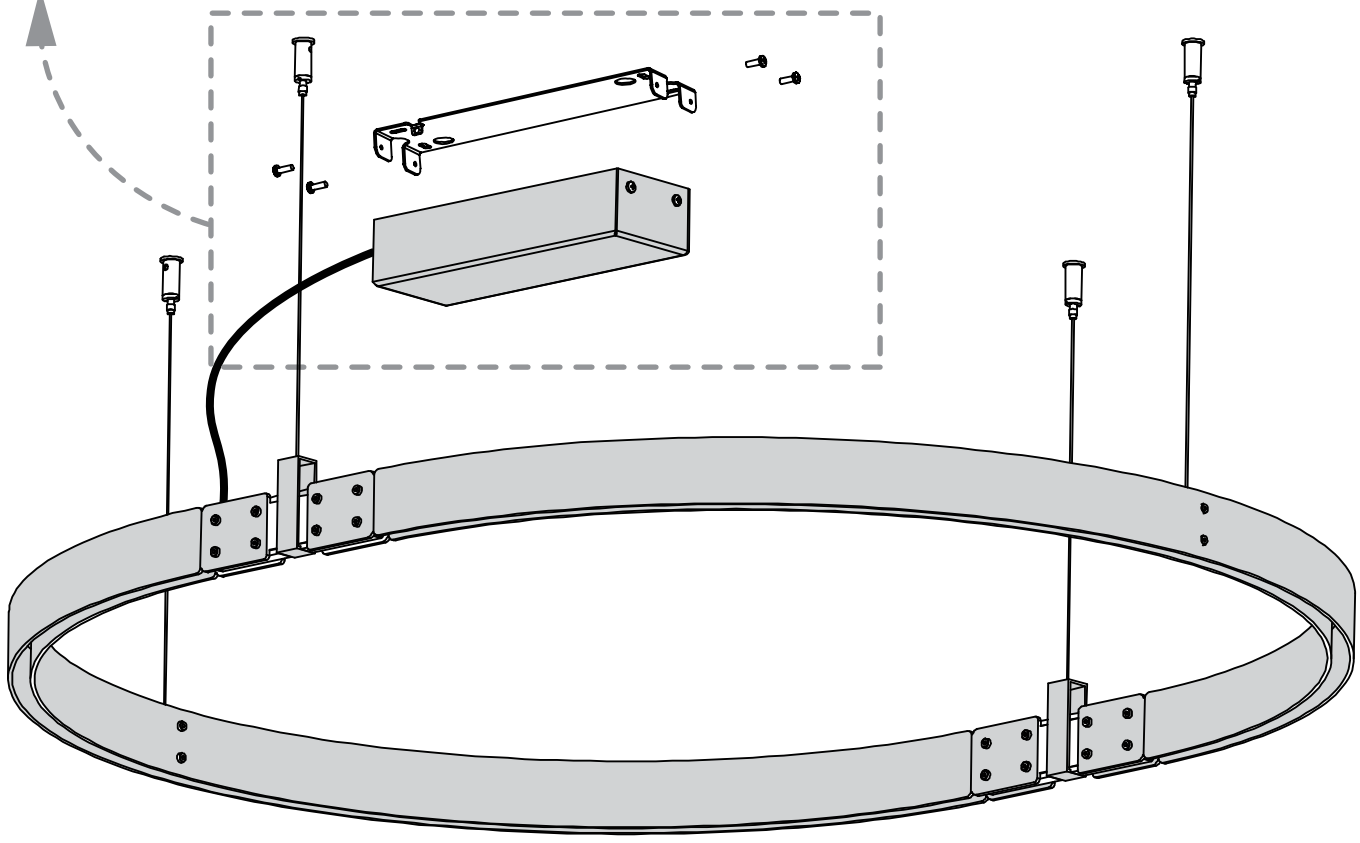




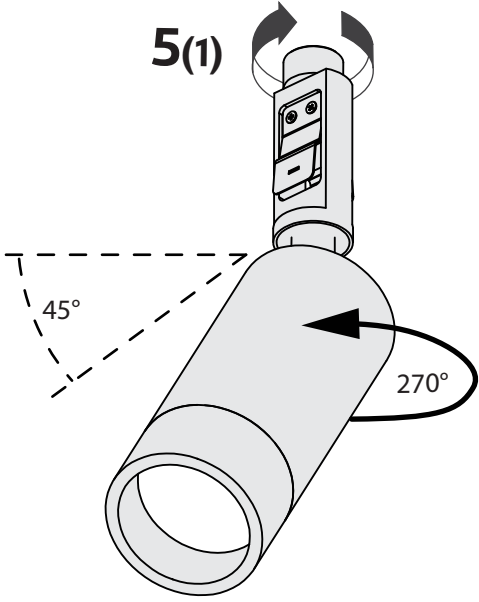




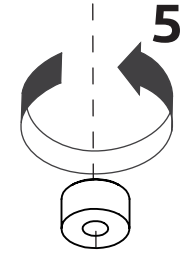
4



5(1)



5(3)



adhesive

+

5(2)

